



JAY® Solid Seat Inserts & Adjustable Solid Seat

February 2023

Mark For:

Submitting for:

Quote Order

Date: _____
 Dealer Acct #: _____
 Dealer: _____
 Dealer Contact: _____
 Dealer Address: _____
 Dealer City: _____ ST: _____ ZIP: _____
 Dealer Phone: () _____ Fax: () _____
 Confirmation Email: _____
 Confirm Via: Fax Email

PO#: _____

ADDITIONAL SHIPPING INFORMATION

Ship To: _____
 Attention: _____
 Address: _____
 Address: _____
 Ship To City: _____ ST: _____ ZIP: _____
 Ship To Phone: () _____ Fax: () _____

The **HCPCS CODES** provided are based on code verification through PDAC or our interpretation of the code definitions. The use of **HCPCS CODES** does not ensure coverage or payment. For coverage information, verify the appropriate payer's coverage policy. Specifications are subject to change without notice.

JAY Solid Seat Insert - E0992

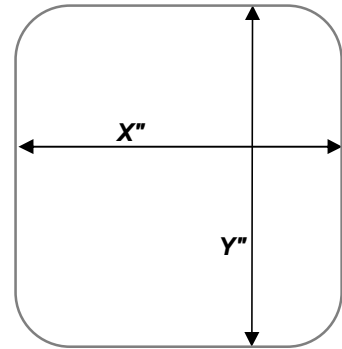
JAY Solid Seat Insert

JSSXXYY E0992 JAY Solid Seat Insert 8" - 26" wide \$106

Note: XX = Width and YY = Depth

Select appropriate assembly # on page 2

Intended to be used inside of a wheelchair cushion



Width

X = Width

Note: Measurement made from outside edge to outside edge.

Ex: JSS1618 X = 15"

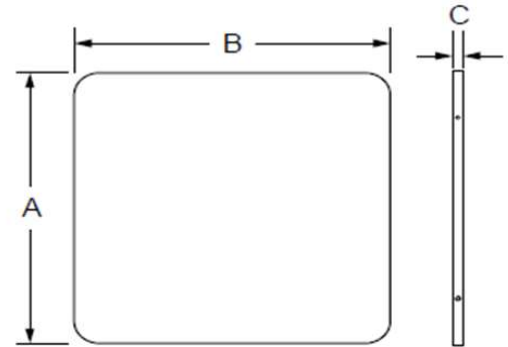
Depth

Y = Depth

Note: Measurement made from front edge to rear edge.

Ex: JSS1618 Y = 17"

JAY Solid Seat Ordering Guide



Note: The JAY Solid Seat measures approximately 1" shorter in width and depth than the selected cushion size. This allows the insert to fit within the cushion cover yet still be supported by the wheelchair frame rails.

JAY Solid Seat Size Matrix

WIDTH

		8	9	10	11	12	13	14	15	16	17	18	19	20	21	22	23	24	25	26
DEPTH	8					JYW	JYW	JYW	N/A	N/A	N/A	N/A	N/A	N/A	N/A	N/A	N/A	N/A	N/A	N/A
	9						JYW	JYW	JYW	JYW	N/A	N/A	N/A	N/A	N/A	N/A	N/A	N/A	N/A	N/A
	10							JYW	JYW	JYW	JYW	N/A	N/A	N/A	N/A	N/A	N/A	N/A	N/A	N/A
	11								JYW	JYW	JYW	JYW	N/A	N/A	N/A	N/A	N/A	N/A	N/A	N/A
	12	JYW									JYW	JYW	JYW	JYW	N/A	N/A	N/A	N/A	N/A	N/A
	13	JYW	JYW									JYW	JYW	JYW	N/A	N/A	N/A	N/A	N/A	N/A
	14	JYW	JYW	JYW								JYW	JYW	JYW	JYW	N/A	N/A	N/A	N/A	N/A
	15	JYW	JYW	JYW	JYW								JYW	JYW	JYW	JYW	N/A	N/A	N/A	N/A
	16	N/A	JYW	JYW	JYW	JYW							JYW	JYW	JYW	JYW	N/A	N/A	N/A	N/A
	17	N/A	N/A	JYW	JYW	JYW	JYW						JYW	JYW	JYW	JYW	N/A	N/A	N/A	N/A
	18	N/A	N/A	N/A	JYW	JYW	JYW						JYW	JYW	JYW	JYW	N/A	N/A	N/A	N/A
	19	N/A	N/A	N/A	N/A	JYW	JYW	JYW					JYW	JYW	JYW	JYW	JYW	JYW	JYW	JYW
	20	N/A	N/A	N/A	N/A	N/A	JYW	JYW					JYW	JYW	JYW	JYW	JYW	JYW	JYW	JYW
	21	N/A	N/A	N/A	N/A	N/A	N/A	JYW	JYW	JYW	JYW	JYW	JYW	JYW	JYW	JYW	JYW	JYW	JYW	JYW
	22	N/A	N/A	N/A	N/A	N/A	N/A	N/A	JYW		JYW		JYW		JYW		JYW		JYW	
	23	N/A	N/A	N/A	N/A	N/A	N/A	N/A	N/A	JYW	JYW	JYW	JYW	JYW	JYW	JYW	JYW	JYW	JYW	JYW
	24	N/A	N/A	N/A	N/A	N/A	N/A	N/A	N/A	N/A	N/A	JYW		JYW		JYW		JYW		JYW
25	N/A	N/A	N/A	N/A	N/A	N/A	N/A	N/A	N/A	N/A	N/A	JYW	JYW	JYW	JYW	JYW	JYW	JYW	N/A	
26	N/A	N/A	N/A	N/A	N/A	N/A	N/A	N/A	N/A	N/A	N/A	N/A	JYW		JYW		JYW		N/A	

JAY® Solid Seat Insert



The JAY Solid Seat, sometimes referred to as a seat rigidizer is constructed of Applewood and requires a zipper cover for installation.

Note: Not compatible with shower cap or ballistic edge style covers.

	=	Standard Offering
	=	Offered Via Jay Your Way
	=	Not available

JAY Solid Seat Insert - Use HCPCS Code E0992

✓	Option #	HCPCS	Cushion Size	"A"	"B"	"C"	Price	✓	Option #	HCPCS	Cushion Size	"A"	"B"	"C"	Price
<input type="checkbox"/>	JSS0808	E0992	8" X 8"	7	7	0.25	\$106.00	<input type="checkbox"/>	JSS1614	E0992	16" X 14"	15	13	0.25	\$106.00
<input type="checkbox"/>	JSS0809	E0992	8" X 9"	7	8	0.25	\$106.00	<input type="checkbox"/>	JSS1615	E0992	16" X 15"	15	14	0.25	\$106.00
<input type="checkbox"/>	JSS0810	E0992	8" X 10"	7	9	0.25	\$106.00	<input type="checkbox"/>	JSS1616	E0992	16" X 16"	15	15	0.25	\$106.00
<input type="checkbox"/>	JSS0811	E0992	8" X 11"	7	10	0.25	\$106.00	<input type="checkbox"/>	JSS1617	E0992	16" X 17"	15	16	0.25	\$106.00
<input type="checkbox"/>	JSS0908	E0992	9" X 8"	8	7	0.25	\$106.00	<input type="checkbox"/>	JSS1618	E0992	16" X 18"	15	17	0.25	\$106.00
<input type="checkbox"/>	JSS0909	E0992	9" X 9"	8	8	0.25	\$106.00	<input type="checkbox"/>	JSS1619	E0992	16" X 19"	15	18	0.25	\$106.00
<input type="checkbox"/>	JSS0910	E0992	9" X 10"	8	9	0.25	\$106.00	<input type="checkbox"/>	JSS1620	E0992	16" X 20"	15	19	0.25	\$106.00
<input type="checkbox"/>	JSS0911	E0992	9" X 11"	8	10	0.25	\$106.00	<input type="checkbox"/>	JSS1622	E0992	16" X 22"	15	21	0.50	\$106.00
<input type="checkbox"/>	JSS0912	E0992	9" X 12"	8	11	0.25	\$106.00	<input type="checkbox"/>	JSS1713	E0992	17" X 13"	16	12	0.25	\$106.00
<input type="checkbox"/>	JSS1008	E0992	10" X 8"	9	7	0.25	\$106.00	<input type="checkbox"/>	JSS1714	E0992	17" X 14"	16	13	0.25	\$106.00
<input type="checkbox"/>	JSS1009	E0992	10" X 9"	9	8	0.25	\$106.00	<input type="checkbox"/>	JSS1715	E0992	17" X 15"	16	14	0.25	\$106.00
<input type="checkbox"/>	JSS1010	E0992	10" X 10"	9	9	0.25	\$106.00	<input type="checkbox"/>	JSS1716	E0992	17" X 16"	16	15	0.25	\$106.00
<input type="checkbox"/>	JSS1011	E0992	10" X 11"	9	10	0.25	\$106.00	<input type="checkbox"/>	JSS1717	E0992	17" X 17"	16	16	0.25	\$106.00
<input type="checkbox"/>	JSS1012	E0992	10" X 12"	9	11	0.25	\$106.00	<input type="checkbox"/>	JSS1718	E0992	17" X 18"	16	17	0.25	\$106.00
<input type="checkbox"/>	JSS1013	E0992	10" X 13"	9	12	0.25	\$106.00	<input type="checkbox"/>	JSS1719	E0992	17" X 19"	16	18	0.25	\$106.00
<input type="checkbox"/>	JSS1108	E0992	11" X 8"	10	7	0.25	\$106.00	<input type="checkbox"/>	JSS1720	E0992	17" X 20"	16	19	0.25	\$106.00
<input type="checkbox"/>	JSS1109	E0992	11" X 9"	10	8	0.25	\$106.00	<input type="checkbox"/>	JSS1814	E0992	18" X 14"	17	13	0.25	\$106.00
<input type="checkbox"/>	JSS1110	E0992	11" X 10"	10	9	0.25	\$106.00	<input type="checkbox"/>	JSS1815	E0992	18" X 15"	17	14	0.25	\$106.00
<input type="checkbox"/>	JSS1111	E0992	11" X 11"	10	10	0.25	\$106.00	<input type="checkbox"/>	JSS1816	E0992	18" X 16"	17	15	0.25	\$106.00
<input type="checkbox"/>	JSS1112	E0992	11" X 12"	10	11	0.25	\$106.00	<input type="checkbox"/>	JSS1817	E0992	18" X 17"	17	16	0.25	\$106.00
<input type="checkbox"/>	JSS1113	E0992	11" X 13"	10	12	0.25	\$106.00	<input type="checkbox"/>	JSS1818	E0992	18" X 18"	17	17	0.25	\$106.00
<input type="checkbox"/>	JSS1114	E0992	11" X 14"	10	13	0.25	\$106.00	<input type="checkbox"/>	JSS1819	E0992	18" X 19"	17	18	0.25	\$106.00
<input type="checkbox"/>	JSS1209	E0992	12" X 9"	11	8	0.25	\$106.00	<input type="checkbox"/>	JSS1820	E0992	18" X 20"	17	19	0.25	\$106.00
<input type="checkbox"/>	JSS1210	E0992	12" X 10"	11	9	0.25	\$106.00	<input type="checkbox"/>	JSS1822	E0992	18" X 22"	17	21	0.50	\$106.00
<input type="checkbox"/>	JSS1211	E0992	12" X 11"	11	10	0.25	\$106.00	<input type="checkbox"/>	JSS1824	E0992	18" X 24"	17	23	0.50	\$106.00
<input type="checkbox"/>	JSS1212	E0992	12" X 12"	11	11	0.25	\$106.00	<input type="checkbox"/>	JSS1826	E0992	18" X 26"	17	25	0.50	\$106.00
<input type="checkbox"/>	JSS1213	E0992	12" X 13"	11	12	0.25	\$106.00	<input type="checkbox"/>	JSS1915	E0992	19" X 15"	18	14	0.25	\$106.00
<input type="checkbox"/>	JSS1214	E0992	12" X 14"	11	13	0.25	\$106.00	<input type="checkbox"/>	JSS1916	E0992	19" X 16"	18	15	0.25	\$106.00
<input type="checkbox"/>	JSS1215	E0992	12" X 15"	11	14	0.25	\$106.00	<input type="checkbox"/>	JSS1917	E0992	19" X 17"	18	16	0.25	\$106.00
<input type="checkbox"/>	JSS1216	E0992	12" X 16"	11	15	0.25	\$106.00	<input type="checkbox"/>	JSS1918	E0992	19" X 18"	18	17	0.25	\$106.00
<input type="checkbox"/>	JSS1310	E0992	13" X 10"	12	9	0.25	\$106.00	<input type="checkbox"/>	JSS1919	E0992	19" X 19"	18	18	0.50	\$106.00
<input type="checkbox"/>	JSS1311	E0992	13" X 11"	12	10	0.25	\$106.00	<input type="checkbox"/>	JSS1920	E0992	19" X 20"	18	19	0.50	\$106.00
<input type="checkbox"/>	JSS1312	E0992	13" X 12"	12	11	0.25	\$106.00	<input type="checkbox"/>	JSS2015	E0992	20" X 15"	19	14	0.25	\$106.00
<input type="checkbox"/>	JSS1313	E0992	13" X 13"	12	12	0.25	\$106.00	<input type="checkbox"/>	JSS2016	E0992	20" X 16"	19	15	0.25	\$106.00
<input type="checkbox"/>	JSS1314	E0992	13" X 14"	12	13	0.25	\$106.00	<input type="checkbox"/>	JSS2017	E0992	20" X 17"	19	16	0.25	\$106.00
<input type="checkbox"/>	JSS1315	E0992	13" X 15"	12	14	0.25	\$106.00	<input type="checkbox"/>	JSS2018	E0992	20" X 18"	19	17	0.25	\$106.00
<input type="checkbox"/>	JSS1316	E0992	13" X 16"	12	15	0.25	\$106.00	<input type="checkbox"/>	JSS2019	E0992	20" X 19"	19	18	0.50	\$106.00
<input type="checkbox"/>	JSS1317	E0992	13" X 17"	12	16	0.25	\$106.00	<input type="checkbox"/>	JSS2020	E0992	20" X 20"	19	19	0.50	\$106.00
<input type="checkbox"/>	JSS1411	E0992	14" X 11"	13	10	0.25	\$106.00	<input type="checkbox"/>	JSS2022	E0992	20" X 22"	19	21	0.50	\$106.00
<input type="checkbox"/>	JSS1412	E0992	14" X 12"	13	11	0.25	\$106.00	<input type="checkbox"/>	JSS2024	E0992	20" X 24"	19	23	0.50	\$106.00
<input type="checkbox"/>	JSS1413	E0992	14" X 13"	13	12	0.25	\$106.00	<input type="checkbox"/>	JSS2026	E0992	20" X 26"	19	25	0.50	\$106.00
<input type="checkbox"/>	JSS1414	E0992	14" X 14"	13	13	0.25	\$106.00	<input type="checkbox"/>	JSS2216	E0992	22" X 16"	21	15	0.50	\$106.00
<input type="checkbox"/>	JSS1415	E0992	14" X 15"	13	14	0.25	\$106.00	<input type="checkbox"/>	JSS2218	E0992	22" X 18"	21	17	0.25	\$106.00
<input type="checkbox"/>	JSS1416	E0992	14" X 16"	13	15	0.25	\$106.00	<input type="checkbox"/>	JSS2220	E0992	22" X 20"	21	19	0.50	\$106.00
<input type="checkbox"/>	JSS1417	E0992	14" X 17"	13	16	0.25	\$106.00	<input type="checkbox"/>	JSS2222	E0992	22" X 22"	21	21	0.50	\$106.00
<input type="checkbox"/>	JSS1418	E0992	14" X 18"	13	17	0.25	\$106.00	<input type="checkbox"/>	JSS2224	E0992	22" X 24"	21	23	0.50	\$106.00
<input type="checkbox"/>	JSS1512	E0992	15" X 12"	14	11	0.25	\$106.00	<input type="checkbox"/>	JSS2226	E0992	22" X 26"	21	25	0.50	\$106.00
<input type="checkbox"/>	JSS1513	E0992	15" X 13"	14	12	0.25	\$106.00	<input type="checkbox"/>	JSS2418	E0992	24" X 18"	23	17	0.50	\$106.00
<input type="checkbox"/>	JSS1514	E0992	15" X 14"	14	13	0.25	\$106.00	<input type="checkbox"/>	JSS2420	E0992	24" X 20"	23	19	0.50	\$106.00
<input type="checkbox"/>	JSS1515	E0992	15" X 15"	14	14	0.25	\$106.00	<input type="checkbox"/>	JSS2422	E0992	24" X 22"	23	21	0.50	\$106.00
<input type="checkbox"/>	JSS1516	E0992	15" X 16"	14	15	0.25	\$106.00	<input type="checkbox"/>	JSS2424	E0992	24" X 24"	23	23	0.50	\$106.00
<input type="checkbox"/>	JSS1517	E0992	15" X 17"	14	16	0.25	\$106.00	<input type="checkbox"/>	JSS2426	E0992	24" X 26"	23	25	0.50	\$106.00
<input type="checkbox"/>	JSS1518	E0992	15" X 18"	14	17	0.25	\$106.00	<input type="checkbox"/>	JSS2618	E0992	26" X 18"	25	17	0.50	\$106.00
<input type="checkbox"/>	JSS1519	E0992	15" X 19"	14	18	0.25	\$106.00	<input type="checkbox"/>	JSS2620	E0992	26" X 20"	25	19	0.50	\$106.00
<input type="checkbox"/>	JSS1520	E0992	15" X 20"	14	19	0.25	\$106.00	<input type="checkbox"/>	JSS2622	E0992	26" X 22"	25	21	0.50	\$106.00
<input type="checkbox"/>	JSS1612	E0992	16" X 12"	15	11	0.25	\$106.00	<input type="checkbox"/>	JSS2624	E0992	26" X 24"	25	23	0.50	\$106.00
<input type="checkbox"/>	JSS1613	E0992	16" X 13"	15	12	0.25	\$106.00								

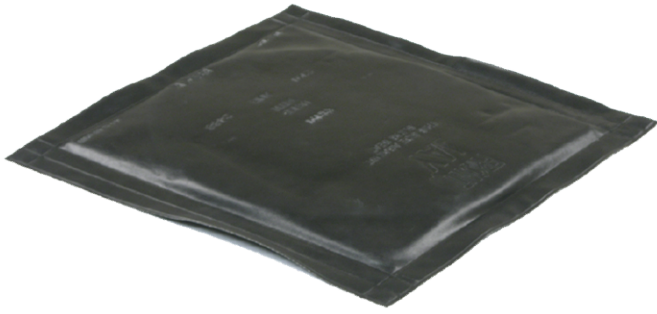
JAY Your Way - Modifications

Note: To order sizes offered via JAY Your Way add a "M" to the front of the part number and follow the prompts.

Length Change - See Matrix For Availability				
<input type="checkbox"/> Increase Length				NC
<input type="checkbox"/> +1"	<input type="checkbox"/> +2"	<input type="checkbox"/> +3"	<input type="checkbox"/> +4"	
<input type="checkbox"/> Reduce Length				NC
<input type="checkbox"/> +1"	<input type="checkbox"/> +2"	<input type="checkbox"/> +3"	<input type="checkbox"/> +4"	

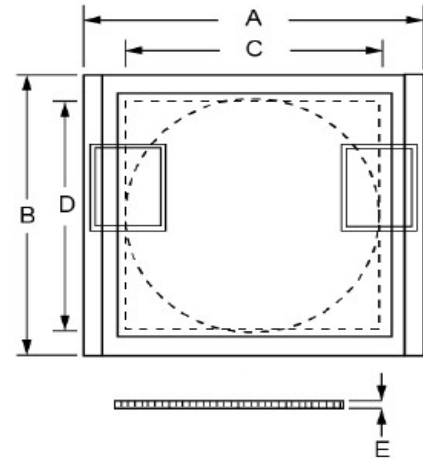
Width Change - See Matrix For Availability				
<input type="checkbox"/> Increase Width				NC
<input type="checkbox"/> +1"	<input type="checkbox"/> +2"	<input type="checkbox"/> +3"	<input type="checkbox"/> +4"	
<input type="checkbox"/> Reduce Width				NC
<input type="checkbox"/> +1"	<input type="checkbox"/> +2"	<input type="checkbox"/> +3"	<input type="checkbox"/> +4"	

JAY Non-Skid Solid Seat Insert - E0992



The Honeycomb Solid Seat Insert inside of the non-skid cover material is made of an aluminum core. For use with Ballistic Edge (Shower Cap) style outer cover options. Only the outer non-skid material can be cut down with width and depth, the Honeycomb Insert cannot be modified.

Measuring Guide



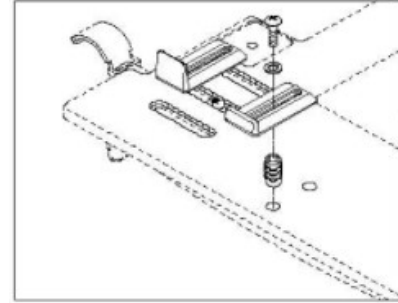
The dotted square in the middle of the above diagram is a Honeycomb Insert. The dotted round in the middle of that is the foam between the non-skid cover and Honeycomb Insert.

JAY Non-Skid Solid Seat Insert - Use HCPCS Code E0992

✓	Option #	HCPCS	Definition	"A"	"B"	"C"	"D"	"E"	Price
<input type="checkbox"/>	S2108	E0992	Solid Seat J2 Non-Skid 14" x 16"	13.50	16.00	9.25	13.00	0.25	\$90.00
<input type="checkbox"/>	S2105	E0992	Solid Seat J2 Non-Skid 15.5" x 16"	15.00	16.00	11.25	13.00	0.25	\$90.00
<input type="checkbox"/>	S2106	E0992	Solid Seat J2 Non-Skid 15.5" x 18"	15.00	18.00	11.25	15.00	0.25	\$90.00
<input type="checkbox"/>	S2107	E0992	Solid Seat J2 Non-Skid 15.5" x 20"	15.00	20.00	11.25	17.00	0.25	\$90.00
<input type="checkbox"/>	S2117	E0992	Solid Seat J2 Non-Skid 17" x 17"	16.50	17.00	12.25	14.00	0.25	\$90.00
<input type="checkbox"/>	S2100	E0992	Solid Seat J2 Non-Skid 18" x 16"	17.50	16.00	13.25	13.00	0.25	\$90.00
<input type="checkbox"/>	S2101	E0992	Solid Seat J2 Non-Skid 18" x 18"	17.50	18.00	13.25	15.00	0.25	\$90.00
<input type="checkbox"/>	S2103	E0992	Solid Seat J2 Non-Skid 18" x 20"	17.50	20.00	13.25	17.00	0.25	\$90.00
<input type="checkbox"/>	S2116	E0992	Solid Seat J2 Non-Skid 20" x 16"	19.50	16.00	15.25	13.00	0.25	\$90.00
<input type="checkbox"/>	S2118	E0992	Solid Seat J2 Non-Skid 20" x 18"	19.50	18.00	15.25	15.00	0.25	\$90.00
<input type="checkbox"/>	S2102	E0992	Solid Seat J2 Non-Skid 20" x 20"	19.50	20.00	15.25	17.00	0.25	\$90.00
<input type="checkbox"/>	S2104	E0992	Solid Seat J2 Non-Skid 24" x 20"	23.50	20.00	19.25	17.00	0.25	\$90.00

JAY Adjustable Solid Seat - E2231

JAY® Adjustable Solid Seat



The JAY Adjustable Solid Seat is made of ABS Plastic and includes a solid seat with non-skid surface in the center of the seat and hardware for mounting on the wheelchair. 1 1/2" thick. The overall length of the seat may measure up to 1" shorter on each side then the seat sling will measure.

Lip Kit

The Lip Kit is used to locate the cushion on the solid seat to help keep the cushion in place. The kit can be retro fitted on a solid seat or you can order it with the Solid Seat. If you retro fit the Lip Kit you will be required to drill two 7/32" holes in the front and rear of the solid seat. If you purchase the JAY Solid Seat with the Lip Kit we will build it onto the JAY Solid Seat.

JAY® Adjustable Solid Seat - Use HCPCS Code E2231

Adjustable Solid Seat 1.5" Drop				
✓	Option #	HCPCS	Definition	Price
<input type="checkbox"/>	270	E2231	FITS 15" - 18" WIDE X 12" - 18" DEPTH	\$414.00
<input type="checkbox"/>	271	E2231	FITS 10" - 11" WIDE X 10" - 12" DEPTH	\$414.00
<input type="checkbox"/>	272	E2231	FITS 12" - 14" WIDE X 10" - 16" DEPTH	\$414.00

Adjustable Solid Seat 1.5" Drop with Lip				
✓	Option #	HCPCS	Definition	Price
<input type="checkbox"/>	270L	E2231	FITS 15" - 18" WIDE X 12" - 18" DEPTH	\$414.00
<input type="checkbox"/>	271L	E2231	FITS 10" - 11" WIDE X 10" - 12" DEPTH	\$414.00
<input type="checkbox"/>	272L	E2231	FITS 12" - 14" WIDE X 10" - 16" DEPTH	\$414.00

Adjustable Solid Seat 2.5" Drop				
✓	Option #	HCPCS	Definition	Price
<input type="checkbox"/>	270.1	E2231	FITS 15" - 18" WIDE X 12" - 18" DEPTH	\$414.00
<input type="checkbox"/>	271.1	E2231	FITS 10" - 11" WIDE X 10" - 12" DEPTH	\$414.00
<input type="checkbox"/>	272.1	E2231	FITS 12" - 14" WIDE X 10" - 16" DEPTH	\$414.00
<input type="checkbox"/>	273.1	E2231	FITS 19" - 22" WIDE X 12" - 20" DEPTH	\$414.00

Adjustable Solid Seat 2.5" Drop with Lip				
✓	Option #	HCPCS	Definition	Price
<input type="checkbox"/>	270.1L	E2231	FITS 15" - 18" WIDE X 12" - 18" DEPTH	\$414.00
<input type="checkbox"/>	271.1L	E2231	FITS 10" - 11" WIDE X 10" - 12" DEPTH	\$414.00
<input type="checkbox"/>	272.1L	E2231	FITS 12" - 14" WIDE X 10" - 16" DEPTH	\$414.00
<input type="checkbox"/>	273.1L	E2231	FITS 19" - 22" WIDE X 12" - 20" DEPTH	\$414.00

Ordering Note

The JAY Adjustable Solid Seat ships standard with hardware for 1" round tubing (Quickie Q2, Quickie/ Zippie IRIS) or 1" ovalized tube (Quickie Q7, Zone & 7r).

For 1 1/8" Round Tubing (Qri/ Quickie 5r)

- Order item number HDW6461 from Sunparts. 4 are required.

For the Zippie X' Cape VersaRail™ Tubing

- Order item number 129262 from Sunparts. 4 are required.

Important Notes

Due to frame interference the JAY Solid (drop) Seat is not available on several chairs listed below.

- Folding Chairs may limit the drop seat functionality. May interfere with cross brace once dropped to a lower seat height, may only be able to drop up to 1" or less.
- All rigid chairs with a welded strut on the seat will limit the ability to attach the adjustable solid seat. Drop seat functionality and the drop seat functionality will not work on these chairs.
- The JAY Solid Seat is not available on chairs with rectangular seat rails. Must be Round or Oval and between 7/8" to 1" in diameter or width.
- May interfere with strut tubes on the Zippie or Zippie 2, once dropped to a lower seat height.
- All Positioning and Pediatric Chairs with Struts may limit the Drop seat functionality.



Sunrise Medical (US) LLC
2842 Business Park Ave. · Fresno, CA 93727 · USA